

# SPECIFICATION



## **HB3™ UFO HIGH BAY** (Eco Version)

## Features



### HB3 UFO High Bay

(Eco Version Non-isolated Driver)

- > ADC12 Die-castign Al,Integrally Mold Forging,Excellent Thermal Conductivity;
- > High Brightness SMD2835 LEDs(1W). DUALRAYS Own-developed Driver;
- > IP65 / IK08 Protection;
- > 60°/90° /120° beam angle optional;
- > Corrosive Resistant Powder Coated Finish;
- > D-Mark tested for the use in paper production,wood processing etc,with toughened glass;
- > Multiple Installations: Loop Hanging, Ceiling Mounting, Wall Mounting;
- > Various intelligent control: 1-10V, Motion sensor, Daylight sensor,Zigbee and Emergency;
- > Customized supported for special projects;

- > ADC12 Die-castign Al,Integrally Mold Forging,Excellent Thermal Conductivity;
- > High Brightness SMD2835 LEDs (1W), DUALRAYS Own-developed Non-isolated Driver;
- > IP65 / IK08 Protection;
- > 60°/90° /120°beam angle optional;
- > Corrosive Resistant Powder Coated Finish;
- > D-Mark tested for the use in paper production,wood processing etc with toughened glass;
- > Multiple Installations: Loop Hanging, Ceiling Mounting, Wall Mounting;
- > Various intelligent control: 1-10V,Motion sensor,Daylight sensor,Zigbee and Emergency;
- > No UV or IR and completely mercury free;
- > L70/B20 @ 60.000h;
- > Customized supported for special projects;

#### Options:

- > Driver: DUALRAYS Own-developed Non-isolated Driver;
- > Controls and Dimming: 1-10V, Motion sensor,Daylight sensor,Zigbee and Emergency;
- > Reflector : PC reflector / Al reflector;
- > Lens : 60°/90°/120° beam angle optional;
- > Installation: Loop Hanging, Ceiling Mounting, Wall Mounting;

## Application

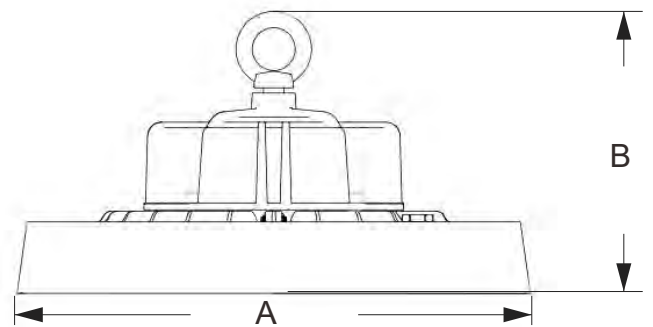
- > Factories / Warehouses / Supermarket
- > Exhibitions / Showrooms / Animal Farm
- > Barns and Riding Halls / Logistic Center
- > High Rooms and Halls / Stadium / Chemical Plant
- > Traditional lamp replacement

# Technical Parameters

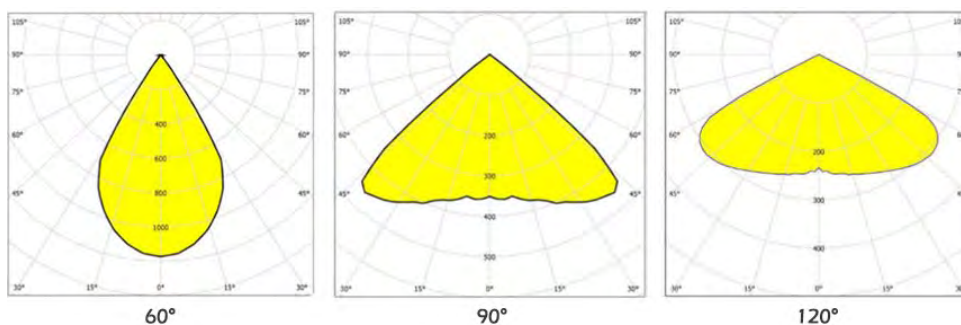
<b>Model No.</b>	DR-HB100-CGXP	DR-HB150-CGXP	DR-HB200-CGXP
<b>System Watts/W</b>	100W	150W	200W
<b>System Efficiency/LPW</b>	140LPW / 160LPW		
<b>Lumen Output/lm</b>	14.000/16.000±5%	21.000/24.000±5%	28.000/32.000±5%
<b>Rated Input Voltage/V</b>	AC100~277V, 50/60Hz		
<b>LEDs Light Source</b>	SMD2835 (1W)		
<b>SDCM</b>	<5		
<b>CCT/K</b>	5000K for Standard (3000K/4000K/5700K/6500K Optional)		
<b>CRI/Ra</b>	>70Ra (>80Ra for Option)		
<b>Power Factor</b>	>0.95		
<b>THD</b>	<10%		
<b>Beam Angle(Optional)</b>	60°/90°/120°		
<b>UGR</b>	<25		
<b>Surge Protection</b>	3.75~4KV SPD built in Driver, Exterior SPD 20KV Meanwell Optional		
<b>LED Driver</b>	DUALRAYS Own-developed High PF Non-isolated Driver		
<b>IP Rating</b>	IP65		
<b>Dimming(Optional)</b>	0/1-10V/Zigbee		
<b>Sensor(Optional)</b>	Motion Sensor, Daylight Sensor		
<b>Emergency(Optional)</b>	Available (30W @ 3Hrs for Standard)		
<b>Protection Class</b>	Class I		
<b>Finishing Color(Optional)</b>	Black RAL9017(Standard) / White RAL9016 Optional		
<b>Material</b>	Aluminum+PC (Toughened Glass Cover Optional)		
<b>Lifespan/hrs</b>	60.000 Hrs (Ta=30°C@L70)		
<b>Operation Temp/°C</b>	-40°C to + 50°C (-40°F to 122°F)		
<b>Storage Temp/°C</b>	-40°C to + 65°C (-40°F to 149°F)		
<b>Installation(Optional)</b>	Loop Hanging, Ceiling Mounting, Wall Mounting		
<b>Certificate</b>	CE(EMC+LVD),RoHS,ENEC ,D-Mark,SAA,RCM Available		

## Dimensions

Character/Power	120W	160W	200W
<b>A</b>	Ø241mm	Ø299mm	Ø350mm
<b>B</b>	147mm	149mm	170mm



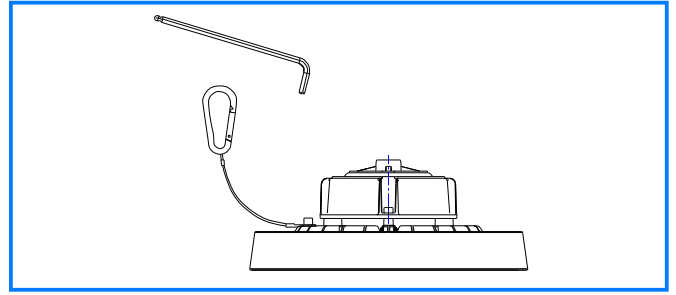
## Photometry Diagram



# Installation

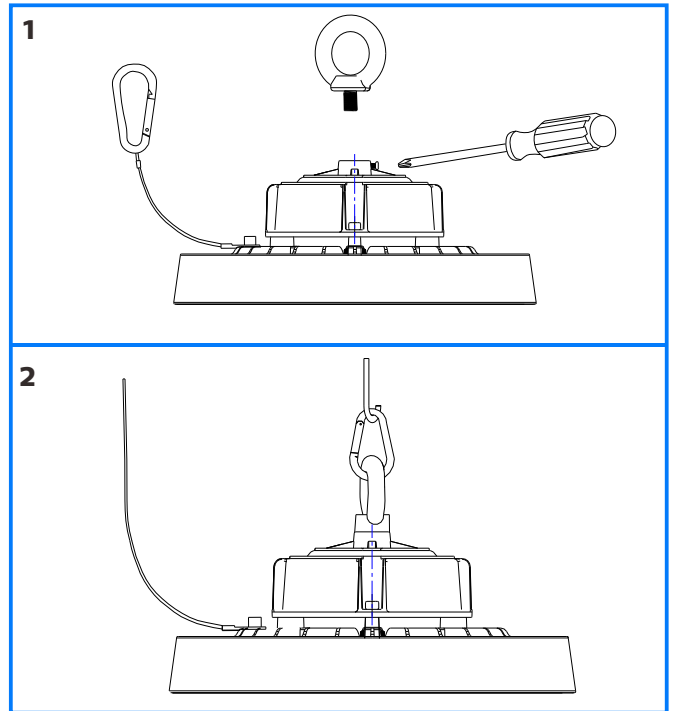
## Preparatory Work

1. Loosen the screw with a screwdriver, tighten the ring of the safety chain.
2. Tighten the screw and fix the cable with screwdriver.



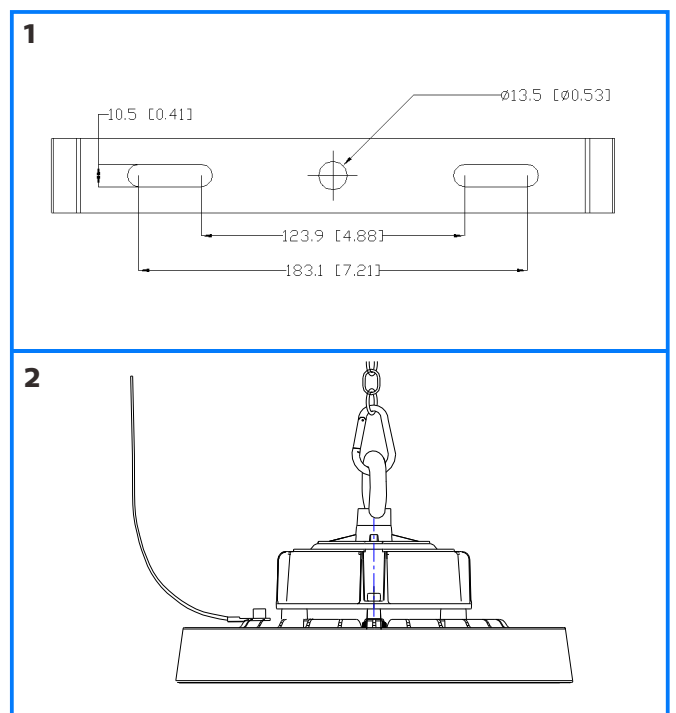
## Loop Hanging

1. Take out the light fixture and match with the hang or chain in the ceiling.
2. Connect the safety chain to a fixed support.
3. Connect the wires according to the wiring diagram.



## Adjustable Surface Mounting

1. Drill 2 holes in the ceiling or wall according to the size of U-bracket.(Figure 1)
2. Tighten the light fixture with expand screws or M10 bolts.
3. Connect the wires according to the wiring diagram.
4. Loosen fixed bolts with screwdriver and adjust the right position.
5. Fasten the fixed bolts.



**INSTALLATION GUIDE**  
**IMPORTANT SAFETY INFORMATION:**

Please read all the instructions below before installation

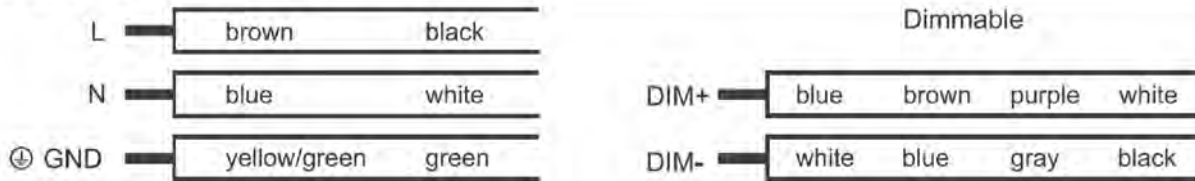
- > Make sure that the supply voltage corresponds to the rated product voltage;
- > The product must be installed by a qualified electrician in accordance with the National Electrical Code and corresponding local codes.
- > If the product is damaged, do not use it!



**Turn Off Power Supply**



## Wiring Diagram



**RISK OF PERSONAL INJURY – READ and follow all WARNINGS and installation instructions.**

Keep or give to the owner for future reference.

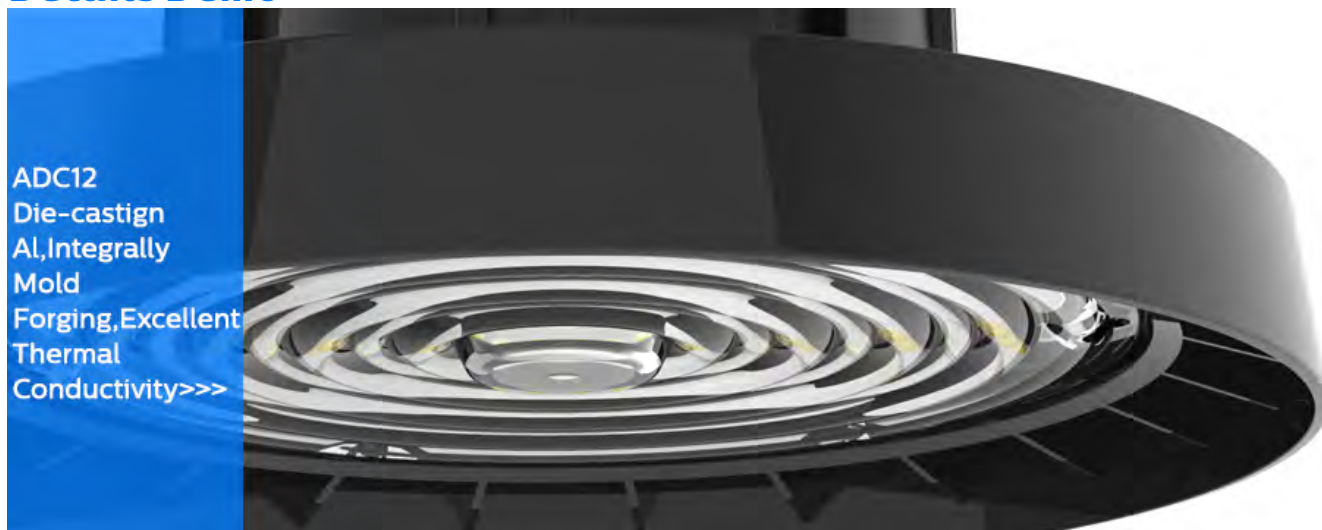
- Risk of cuts:** Wear gloves to prevent cuts or abrasions when removing from carton, handling, installing, and maintaining this product.
- Risk of electric shock:** This product must be installed in accordance with the applicable installation code by a person familiar with the construction and operation of the product and the hazards involved.
- Risk of Fire:** Minimum 194°F supply conductors. Consult a qualified electrician to ensure correct branch circuit conductor.

DUALWAYS® assumes no responsibility for claims arising out of improper or careless Installation or handling of this product.

## Packaging Information

Model No.	Net Weight/Kg	Outer Carton Size/mm	Gross Weight/Kg	QTY"/CTN
DR-HB100-CGXP	2.1	300*300*170	2.6	1PCS
DR-HB150-CGXP	2.3	330*330*170	3.1	1PCS
DR-HB200-CGXP	2.5	370*370*170	3.4	1PCS

## Details Demo



ADC12  
 Die-castign  
 Al,Integrally  
 Mold  
 Forging,Excellent  
 Thermal  
 Conductivity>>>>

DUALRAYS  
Own-developed  
High-efficiency  
Non-isolated  
Driver>>>



Zigbee Wireless  
Smart Control>>>



KNX Protocol  
Device with KNX  
Bus (2/4/8/12  
Channel for Op-  
tion)>>>



## Application Reference

